

Engineering Services Provider – EGS India - Overview of Design Capabilities

EGS Computers India Private Limited, Chennai, INDIA



Evolution thro' Knowledge

www.egs.co.in

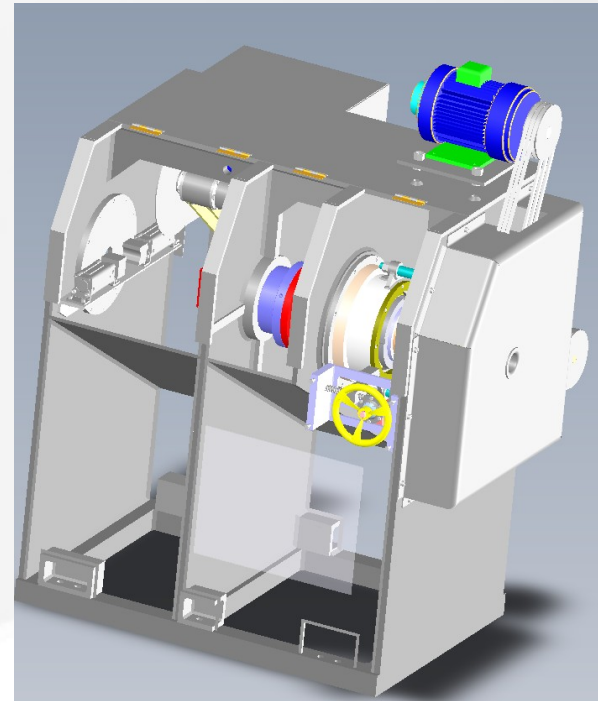
Engineering Services - Overview

Design Engineering Services

- Concept Product Design
- Synthesis & Analysis of Mechanisms
- FEA & Kinematic Analysis
- Tolerance stack up Analysis
- DFMEA Documentation
- MTBF (Mean Time Bet'n Failure) Calculation

Machine Design Services

- Special Purpose Machine Design
- Mechanism Design
- G D & T Drawing Development
- Tolerance stack up Analysis
- FEA Validation
- Kinematic Motion Simulation
- MTBF (Mean Time Bet'n Failure) Calculation



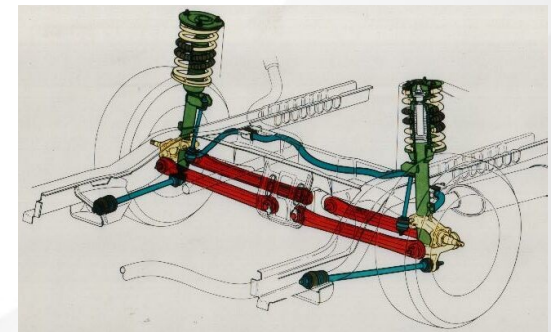
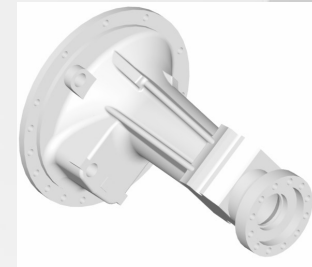
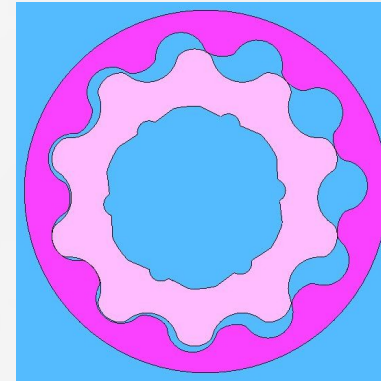
Product Design Services

- Concept Design
- Detailed Engineering Design for Fit, Form & Function
- G D & T Drawing Development
- Design Verification using FEA, CFD & Kinematics



Automobile Design Services

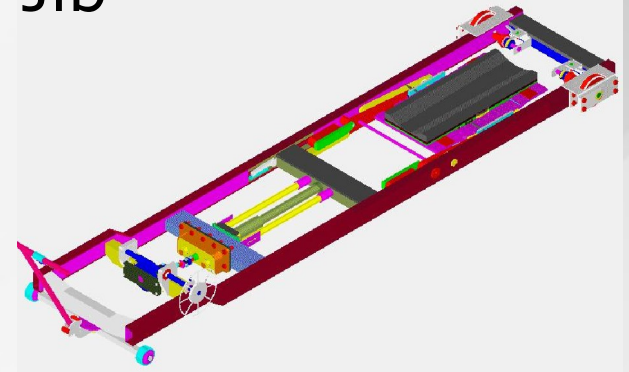
- Body Structure Design
- Suspension Engineering
- Plastic Engineering for Automotive sub-systems
- Alloy Wheel Design
- Cooling, Lubrication Pump Design
- Full Scale FEA Services for Automotive Sub-systems
- Steering System Design Validation



- Tractor Engineering Design of Sub-systems

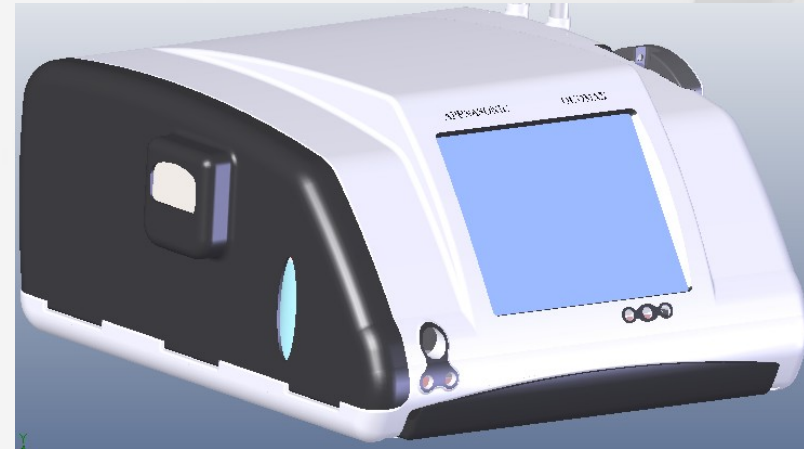
Material Handling Equipment Design

- Crane Design – EOT, Gantry, Jib types
- Scissor Lift Platforms
- FEA of Material Handling Equipments for Weight Reduction, Deflection studies and Stress Calculations
- Vibration FEA of Structural Systems
- Design of Actuation Systems, Mechanisms including Kinematic Analysis



Medical Equipment Design

- Concept Design of new products for medical application
- Ingenuous mechanisms design for actuating systems used in orthopaedic surgeries
- Design of Equipments used in Ophthalmic departments
- Hand-held devices for physicians and surgeons for wide-ranging patient care applications



Benefits of Design Engineering Services from EGS India

- Experienced Design Engineering Company since 1993
- Established Design Process
- Proven Project Delivery Mechanism for customers world-wide
- Intrinsic Value Engineering initiatives in every design project
- Trusted partner for product design & development



Contact EGS India

Contact info@egs.co.in for
more information