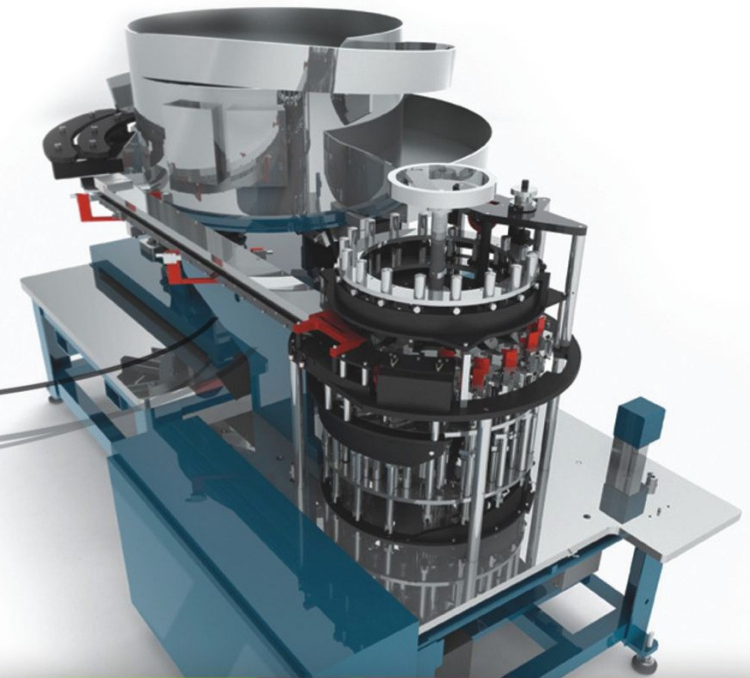




# Dimensional Management Services

## GD&T, Tolerance Stacks



[www.egs.co.in](http://www.egs.co.in)

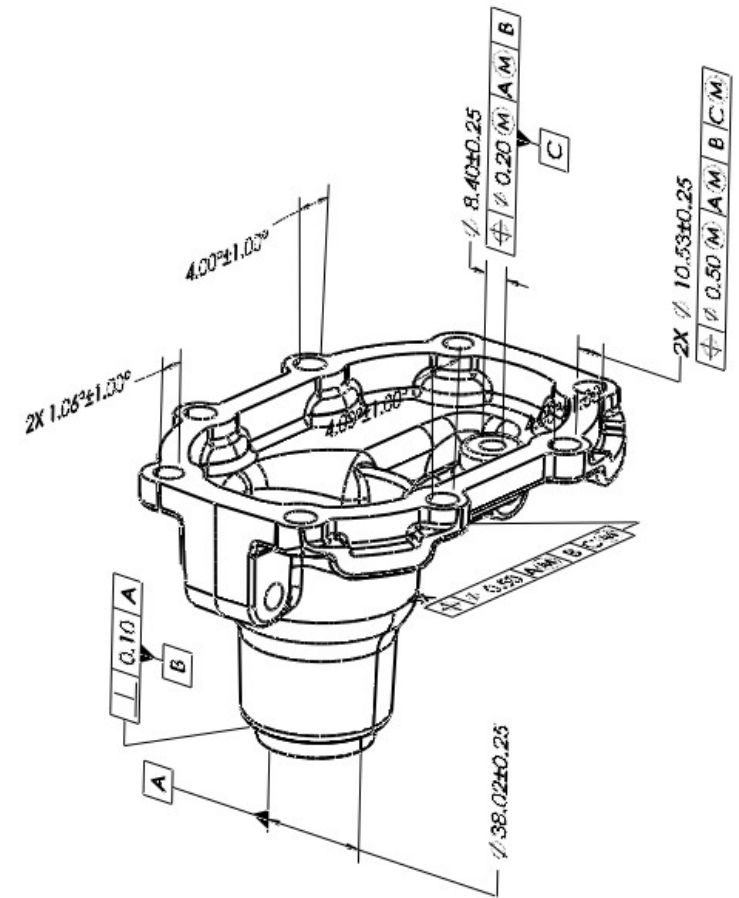
# Dimensional Management Services

- G D & T Services
- Tolerance Stack-Up Analysis Services
- G D & T and Tolerance Stacks Training
- Solving Quality Issues
- G D & T in New Product Development



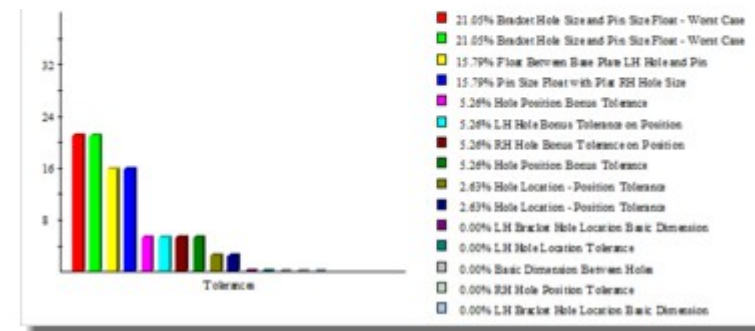
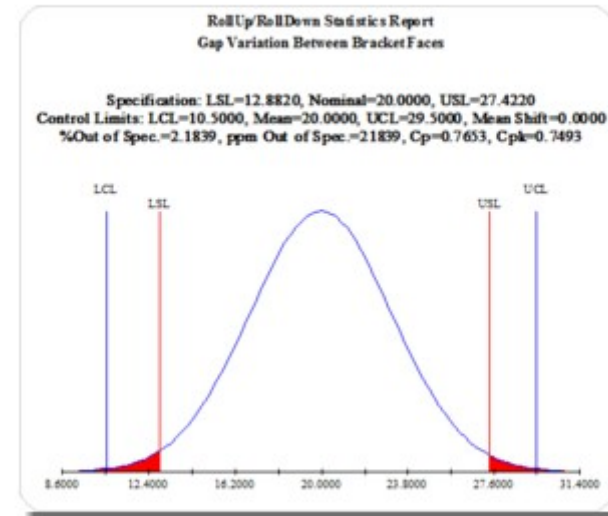
# G D & T Services

- Conversion of +/- Drawings to G D & T
- Verification of Drawings to ASME / ISO G D & T Standards
- Qualitative Assessment of Drawings for Assembly & Function
- Dimensional Management Planning



# Tolerance Stack-Up Analysis Services

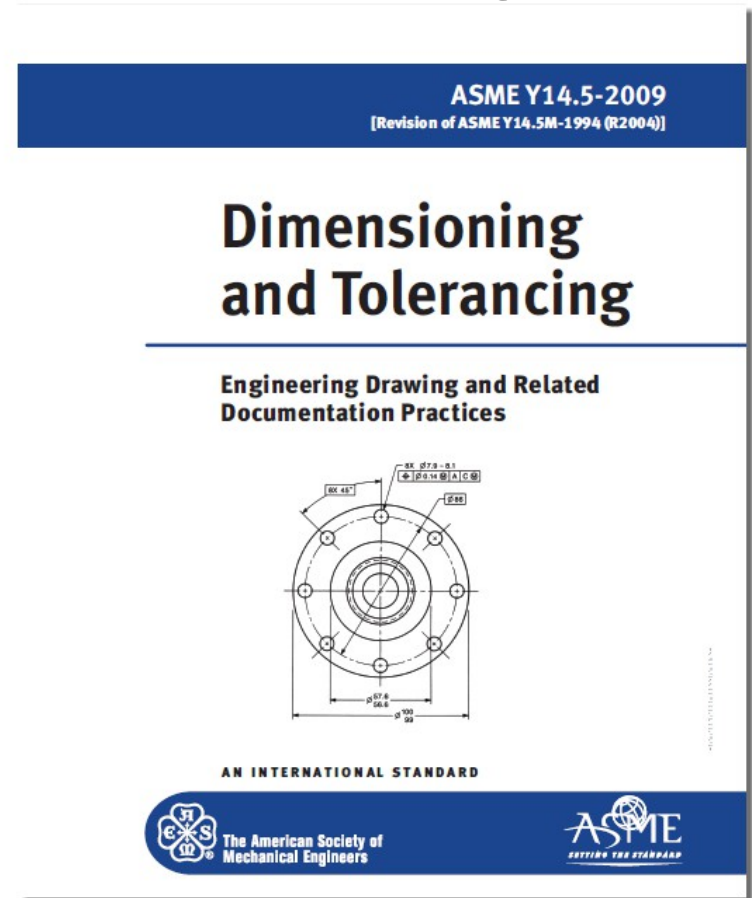
- Identify CTQ contributors
- Cost of Precision Analysis
- Optimize Tolerances for Least Cost
- Assess Impact of Process Capability
- Incorporate  $6\sigma$
- Predict PPM
- Perform Monte-Carlo Simulation





# G D & T and Tolerance Stacks Training

- Basic & Advanced GD&T Training
- Tolerance Stacks Training
- Taught by ASME GDTP Professional
- Application Oriented Training for Automotive, Aerospace, Precision Machinery, Medical, Defence, Power & Process Industries



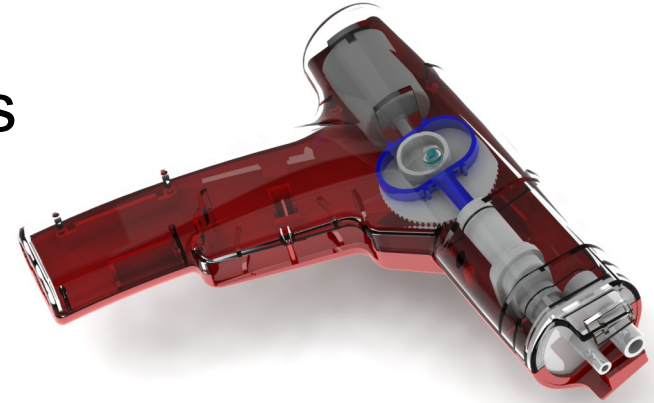
# Solving Quality Issues

- Provide Working solutions for Defect Control
- Ensure Consistent Product Quality
- Perform Root Cause Analysis
- Implement Robust Quality Processes for 0 PPM
- Eliminate Fitment, Performance issues
- Incorporate World Class Processes by Quality Audit

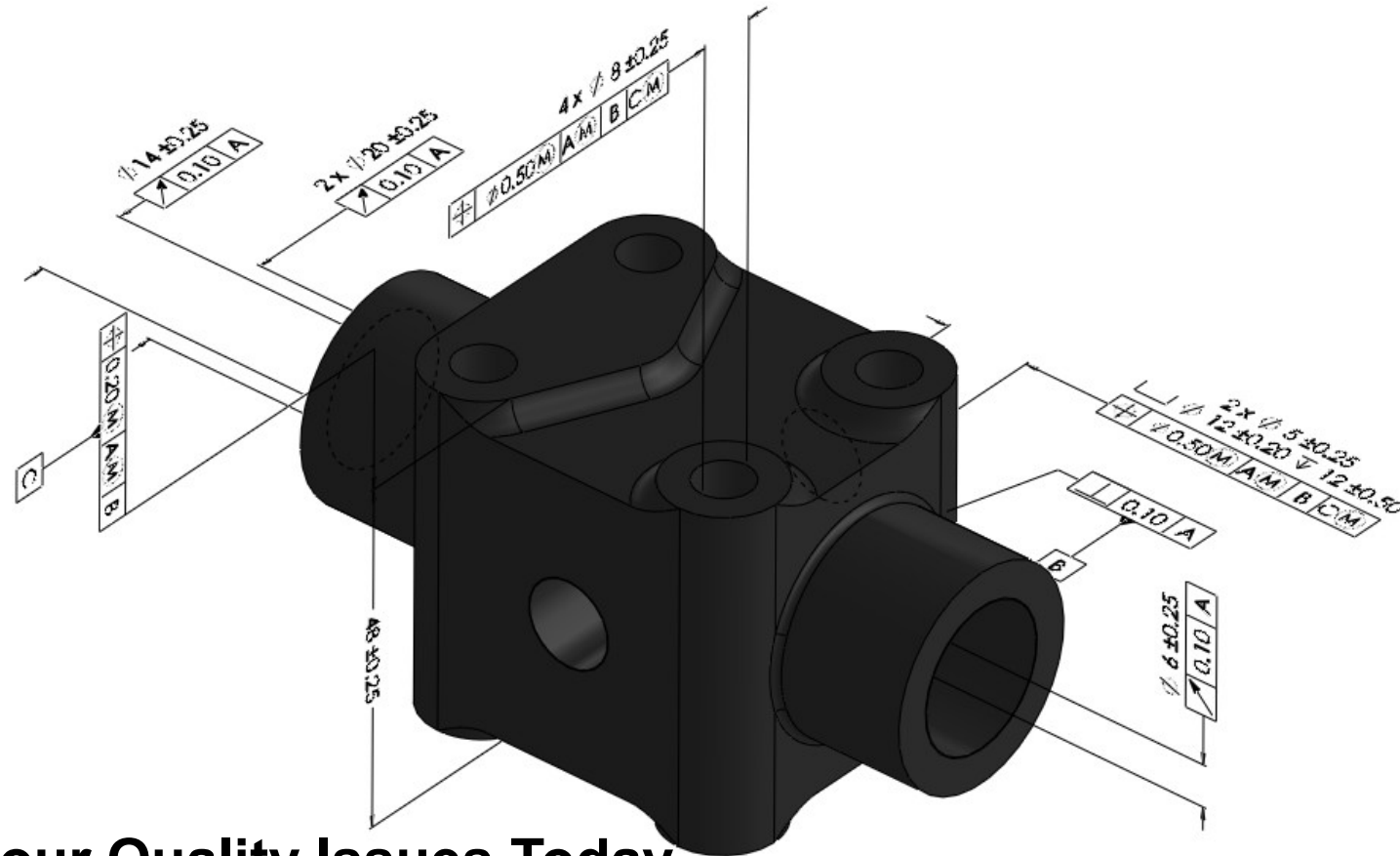


# G D & T in New Product Development

- Achieve First Time Right
- Comply with World Class Standards
- Incorporate Best In Class Practices
- Do it Once Do It Right



# Dimensional Management Consultants



**Solve your Quality Issues Today**  
 Contact: [info@egs.co.in](mailto:info@egs.co.in)